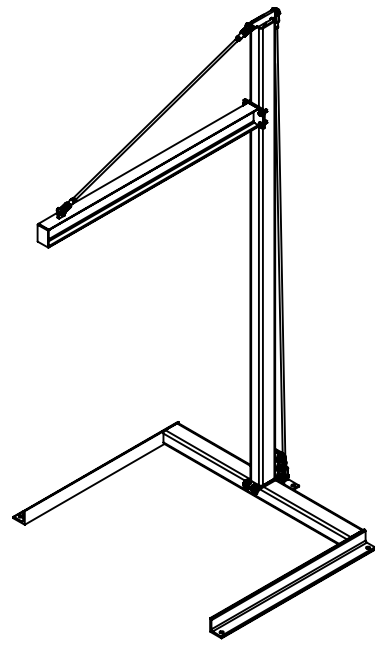
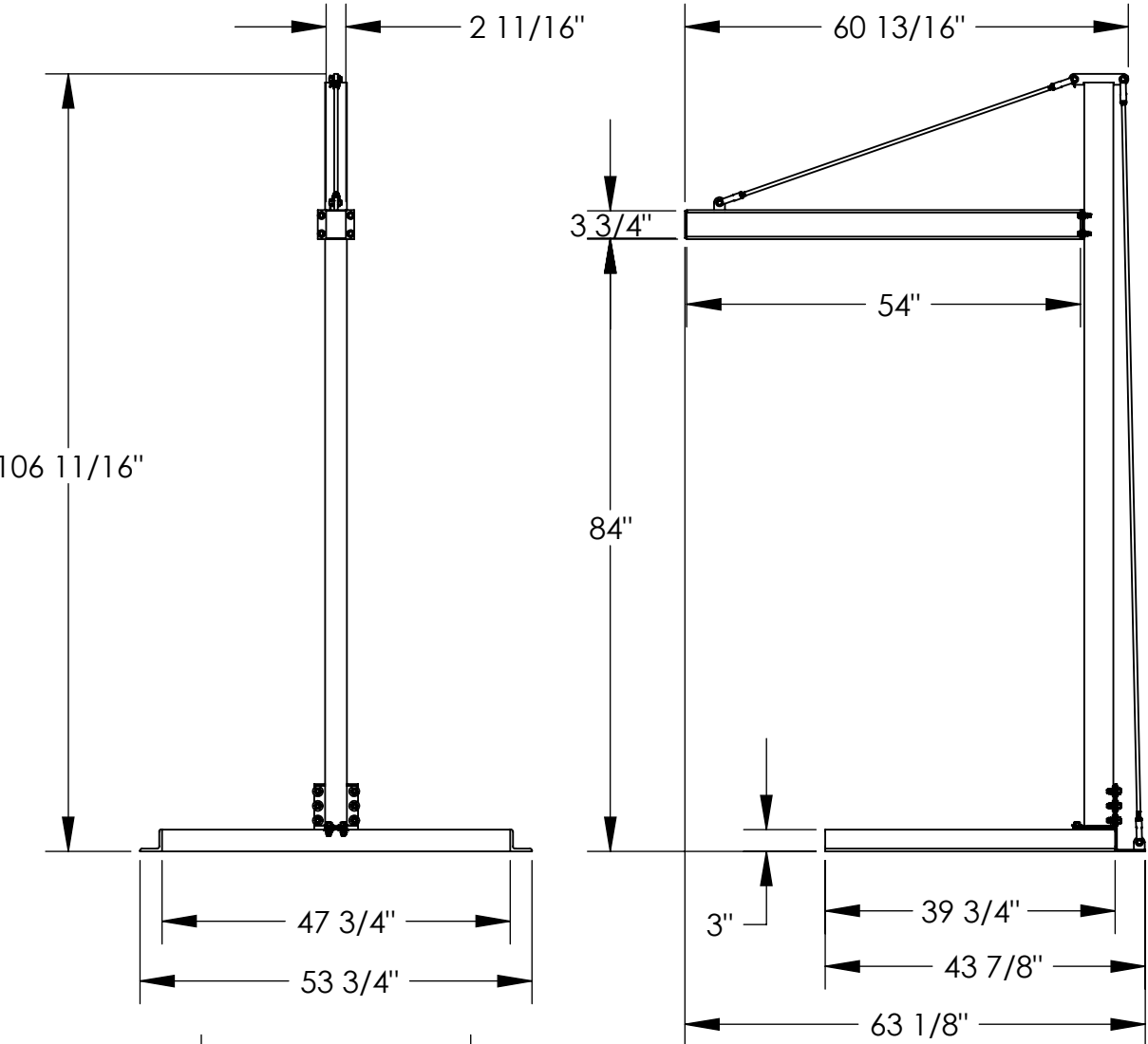


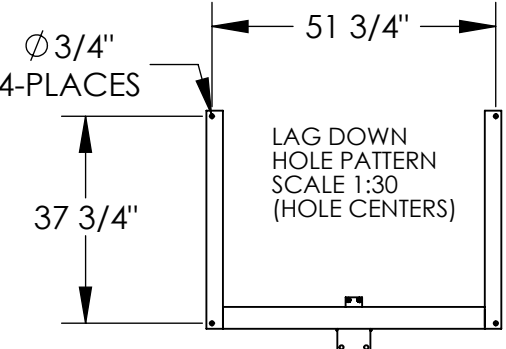
# MINI OVERHEAD CANTILEVER JIB - CJIB-6

APPROX WEIGHT: 241.31 lbs.  
 DOES NOT INCLUDE WEIGHT OF POWER OR PACKAGING!!!

\*\*\*ANY ADDITIONS, DELETIONS, OR OMISSIONS MUST BE CORRECTED ON THIS DRAWING AS THIS DRAWING WILL BE CONSIDERED ALL INCLUSIVE\*\*\*  
 ALL GRAPHICS PROVIDED ARE FOR REFERENCE ONLY. IF CERTAIN DIMENSIONS ARE CRITICAL PLEASE VERIFY THOSE DIMENSIONS WITH YOUR SALESPERSON



3D VIEW SHOWN FOR REFERENCE ONLY



**NOTE:**

SPECIAL FOUNDATION MAY BE REQUIRED: SEE OWNERS MANUAL FOR DETAILS

**DIMENSION TOLERANCE ± 1/4"**

**STANDARD FEATURES**

- MODEL NUMBER IS CJIB-6
- CAPACITY IS 600 LBS.
- OVERALL WIDTH IS 53 3/4"
- STRADDLE WIDTH IS 47 3/4"
- OVERALL LENGTH IS 63 1/8"
- USABLE I-BEAM LENGTH IS 54"
- OVERALL HEIGHT IS 106 11/16"
- UNDER I-BEAM TO GROUND IS 84"
- DURABLE LIQUID PAINT BLUE FINISH
- I-BEAM SIZE IS 4" HEIGHT X 2 11/16" FLANGE WIDTH

**SPECIAL FEATURES**

NONE

I, THE UNDERSIGNED, AGREE THAT THE PRODUCT AS REPRESENTED SATISFIES DESIGN AND DIMENSION REQUIREMENTS. I ALSO ACKNOWLEDGE MY DUTY TO CONFIRM PRODUCT AND INSTALLATION COMPLIANCE WITH ALL APPLICABLE FEDERAL, STATE AND LOCAL REGULATIONS AND STANDARDS.

**UNITS REQUIRING APPROVAL DRAWINGS OR MODIFIED ARE NON-RETURNABLE**

As drawn     As marked

Signed: \_\_\_\_\_ Date: \_\_\_\_\_

Printed Name: \_\_\_\_\_

LEAD TIME WILL START UPON RECEIPT OF SIGNED APPROVAL DRAWING

DISTRIBUTOR'S NAME:		P.O.#
VESTIL MANUFACTURING		X
DRAWN BY: ND		W.O.#
DATE: 1/30/2009		X
REFERENCE: X	SCALE: 1:25	SALES: X
QUOTED LEAD TIME: X	QUOTE # X	FILE NAME:
		28-007-042-001